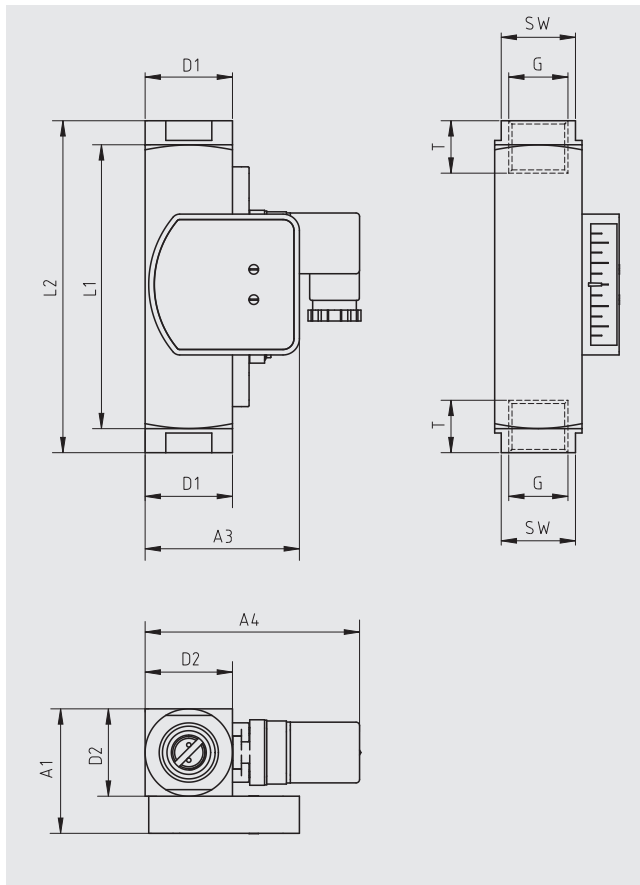


Flow monitor, vertical mounting position, dial indicator, for water and similar media, model FWS-DWM/A

Option: Explosion-protected version



Specifications

Main body	Nickel-plated brass or stainless steel 1.4571
Mounting position	Vertical
Display	Dial indicator
Process connections	Female thread G 1/4 ... 1 or 1/4 ... 1 NPT
Max. operating pressure	200 bar (stainless steel version 300 bar)
Pressure loss	0.02 ... 0.2 bar
Tolerance	±5 % of full scale value

Versions	Max. ambient temperature	Ingress protection
Instrument connector DIN 43650 form A	100 °C (option 160 °C)	IP 65
1 m cable	100 °C (option 160 °C)	IP 67
Instrument connector M12 x 1	85 °C	IP 67
Ex version (2 m cable)	75 °C	IP 67

Electrical data	Normally open	Change-over contact
Standard	250 V / 3 A / 100 VA	250 V / 1.5 A / 50 VA ¹⁾
Ex version	250 V / 2 A / 60 VA ATEX II 2G Ex mb II T6	250 V / 1 A / 30 VA ¹⁾

1) Minimum load 3 VA

Model	Switching ranges in l/min		Dimensions in mm						G	T	L1	L2	SW	Weight in g
	H ₂ O at 20 °C	Air	D1	D2	A1	A3	A4							
FWS-DWM/A-1.5	0.1 ... 1.5	-	30	30	47	65.5	approx. 88	1/4"	10	117	131	27	850	
								3/8"	11					
								1/2"	14					
FWS-DWM/A-3	0.2 ... 3	-	30	30	47	65.5	approx. 88	1/4"	10	117	131	27	850	
								3/8"	11					
								1/2"	14					
FWS-DWM/A-8	0.3 ... 8	-	30	30	47	65.5	approx. 88	1/4"	10	117	131	27	850	
								3/8"	11					
								1/2"	14					
FWS-DWM/A-12	1 ... 12	-	30	30	47	65.5	approx. 88	1/4"	10	117	131	27	850	
								3/8"	11					
								1/2"	14					
FWS-DWM/A-18	2 ... 18	-	30	30	47	65.5	approx. 88	1/2"	14	132	146	27	800	
			35	30				3/4"	15	132	174	32	1,010	
			FWS-DWM/A-35	3 ... 35				-	40	40	57	70.5	approx. 98	3/4"
1"	17	156			156	40	1,500							
FWS-DWM/A-50	4 ... 50	-			40	40	57							70.5
			1"	17				156	156	40	1,500			