

Transparent level gauge type glass-mica

Sight openings staggered, even number; lateral connection, protective LED-light tube

Application and function

The transparent level gauge is a direct water level gauge with illumination which can be used for steam generators.

In the sight opening, the water level is visible at the interface between water level and steam. The product corresponds to the PED directive 97/23/EEC art. 3 par. 3 SEP (Sound Engineering Practice).

Applied rules as per TRD/AD200 or ASME-Boilers.

Technical basic equipment

- Body material carbon steel
- As left sided (mapped) or right sided model
- Sight lengths see table
- With drain valve and ventilation plug
- Illumination device IP67
- Shutoff valve type A130, A150 and A220
- Drain valve type AV500, AV 520

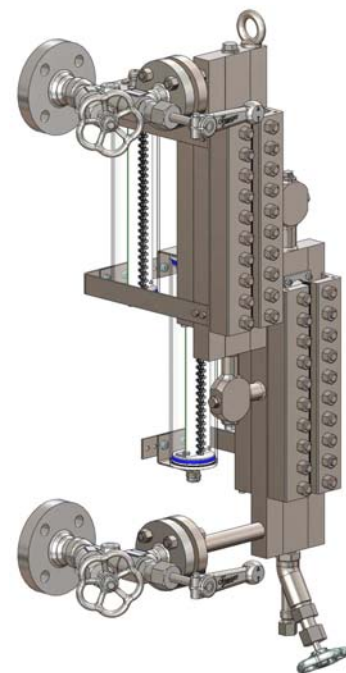
Available (optional) versions

- Body material according to ASME
- Other drain valve on request

Technical data

| | | | | | |
|-----------------------|------------|----------------|-----|----------------|-----|
| Allowable pressure | PS [bar] | 20 | 32 | 50 | 80 |
| Allowable temperature | TS [° C] | 215 | 239 | 265 | 296 |
| Shutoff valve | Type | A130 | | A150 | |
| | Data sheet | D-09-D-16354-1 | | D-09-D-16355-1 | |
| | Type | A220 | | | |
| | Data sheet | D-09-D-16356-1 | | | |
| Drain valve | Type | AV500 | | AV520 | |
| | Data sheet | D-09-D-16358-0 | | | |

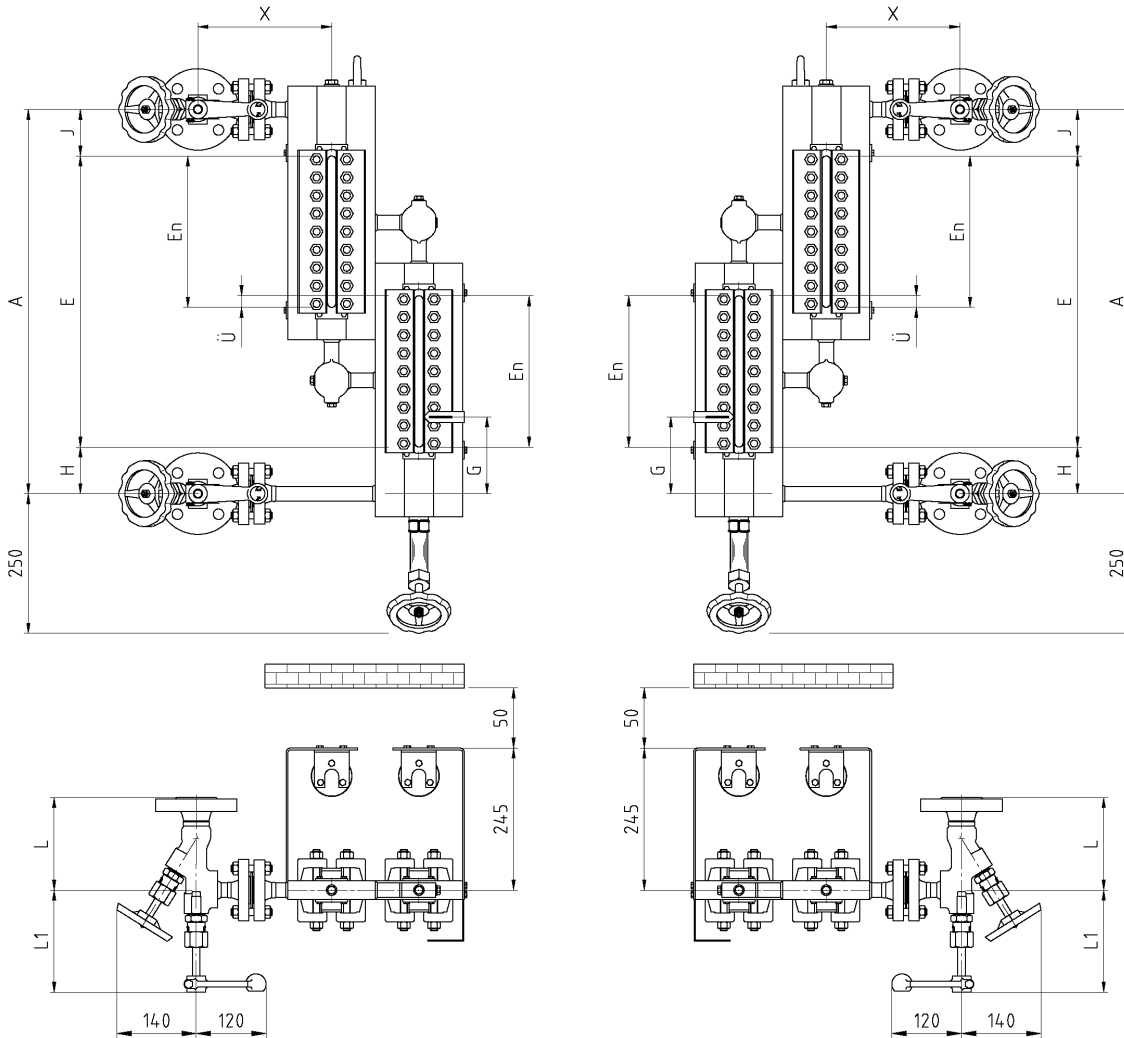
| | |
|---------------------------------------|----------------|
| illumination | |
| Protective LED-light tube | |
| IP67 230V / 50Hz oder 110-120V / 60Hz | |
| Without switch box | D-A1-D-18931-0 |
| With standard switch box | D-A1-D-20722-0 |



Dimensions and tables

Left sided model

Right sided model



| Size | | 7/nv | 8/nv | 9/nv | 10/nv | 11/nv |
|--------------|-------------------------|------------|------|------|-------|-------|
| Sight length | E | 260 | 300 | 320 | 350 | 400 |
| Dimension | H/J _{min} [mm] | 25 | | | | |
| | H/J _{max} [mm] | on request | | | | |

Other sizes on request.



Information:

Depending on the size and version of the level gauge the customer has to arrange a sufficient brace support (eg. spring suspension etc.)



| Zulässiger Druck PS [bar] | Ventil | Flansch | Anschweißende | X [mm] | L [mm] | L1 [mm] |
|------------------------------|--------|-----------------|---------------|--------|--------|---------|
| 20-32 | A130 | DN20 DIN 2365-C | | 225 | 140 | 175 |
| 20-32 | A130 | DN25 DIN 2635-C | | 225 | 119 | 175 |
| 20-32 | A130 | | DN20 DIN 3229 | 225 | 130 | 175 |
| 20-32 | A130 | | DN25 DIN 3229 | 225 | 130 | 175 |
| 20-32 | A220 | DN20 DIN 2635-C | | 225 | 170 | 175 |
| 50-80 | A150 | DN25 DIN 2638-E | | 235 | 130 | 175 |
| 50-80 | A220 | DN25 DIN 2638-E | | 235 | 160 | 175 |
| 50-80 | A220 | | DN25 DIN 3229 | 235 | 160 | 175 |

