

Strainer, Y - type PN 16/40

with flanged connection acc. to **DIN**



Bauform 140

Application:

Preferably installed in front of measuring instruments, control valves, pumps and sensitive systems.

Operating conditions:

Nominal pressure : max. 16 / 40 bar

Nominal Temp max. 300°C

Standard Materials:

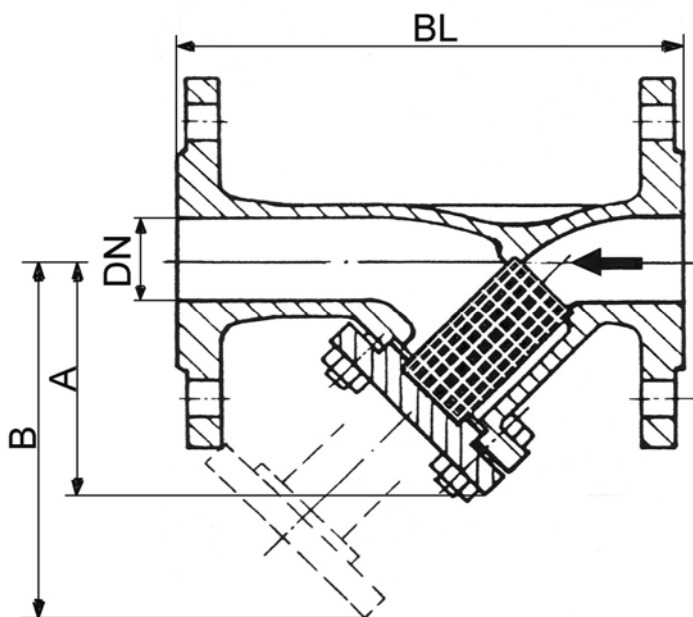
Body : WN 1.4408 | GS-C 25
Covers : WN 1.4408/4571 | GS-C 25 / H II
Screws: A4 - 70 | 5.6 gal.
Screen: WN 1.4571 / 1.401
Gasket : Graphit (or other materials)

Options:

Double screen in WN 1.4571
with flanged connection acc to ANSI
Drain plug
Heating jacket

Ordering example:

Strainer, Y-type Bauform 140
stainless steel
DN 50, PN 16



Dimension:

DN	BL	A	B	Mesh-size
15	130	75	115	0,6
20	150	80	125	
25	160	90	135	0,8
32	180	90	135	
40	200	110	170	
50	230	120	190	1,2
65	290	140	220	
80	310	165	265	1,5
100	350	220	340	
125	400	260	350	
150	480	300	510	1,5
200	600	360	580	
250	730	495	720	

Modifications reserved



AVEMAR CZECH s.r.o. | speciální armatury pro měření a regulaci |
Branch office | Podvihovská 378/12C | 747 70 Opava 9 - Komárov | česká republika |
Tel.: +420 553 764 015 | Fax: +420 553 654 820 | www.avemar.cz | avemar@avemar.cz |