

**Sight Glass Fittings, circular,**  
acc. to **DIN 28120**  
to be **welded** directly to tank



Bauform 120

**Application:**

For observation and lightning the inside of closed containers ( boilers, tanks, silos a.s.o )

**Delivery includes:**

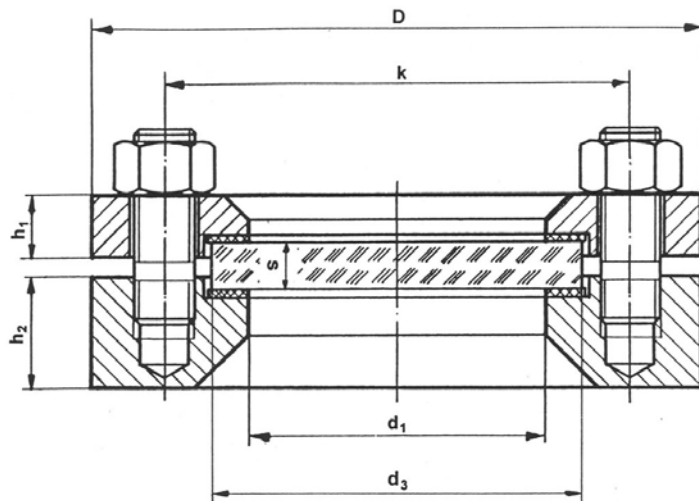
Complete fitting, consisting of base and cover flange, glass plate, sealings and screws with nuts

**Operating conditions:**

Working pressure: 10 or 16 bar  
Working temperature: 150°C or 280°C

**Options:**

- Sight glass wiper Bauform 190 + 195
- Spray washer Bauform 198
- Safety double windows Bauform 126 + 120-D
- Sight glass light fittings
- Lined, Type B, acc. to DIN 28120
- With O-ring-sealing (for vacuum)
- Special design acc. to customer



**Certificate: ( Option )**

Acc. to EN 10204-2.2 or  
Acc. to EN 10204-3.1

**Dimensions:**

DN	PN	d <sub>1</sub>	d <sub>3</sub>	s	D	k	h <sub>1</sub>	h <sub>2</sub>	Screws
25	10 / 16	48	63	10	115	85	16	25	4 x M 12
40	10 / 16	65	80	12	150	110	16	30	4 x M 16
50	10 / 16	80	100	15	165	125	16	30	4 x M 16
80	10 / 16	100	125	15/20	200	160	20	30	8 x M 16
100	10 / 16	125	150	20/25	220	180	22	30	8 x M 16
125	10 / 16	150	175	20/25	250	210	25	30	8 x M 16
150	10 / 16	175	200	25/30	285	240	30	36	8 x M 20
200	10	225	250	30	340	295	35	36	8 x M 20



**Materials:**

	Standard Design	Special Design
<b>Base- and Cover-flange</b>	Steel H II Stainless Steel 1.4541 Stainless Steel 1.4571	Stainless Steel 1.4301 / 1.4435 / 1.4539, Hastelloy a.s.o.
<b>Sight glasses</b>	Soda lime glass acc. to DIN 8902 (up to 150°C) Borosilicate glass acc. to DIN 7080 (up to 280°C)	
<b>Gaskets</b>	asbestos free	Viton, Silikon, EPDM, PTFE a.s.o.
<b>Screws</b> DIN 938 <b>Nuts</b> DIN 934	Steel 5.6 gal. / A2-70 / A4-70	

Modifications reserved