

Sight Glass Fittings, circular PN 2,5

to be **welded** directly to tank



Bauform 118

Application:

For observation and lightning the inside of closed containers (boilers, tanks, silos a.s.o)

Following DIN 28120

Delivery includes:

Complete fitting, consisting of base and cover flange, glass plate, sealings and screws

For low pressure
up to 2,5 bar

Operating conditions:

Working pressure: 2,5 bar
Working temperature: 150°C or 280°C

Materials:

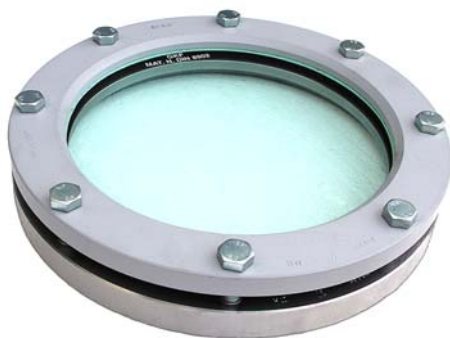
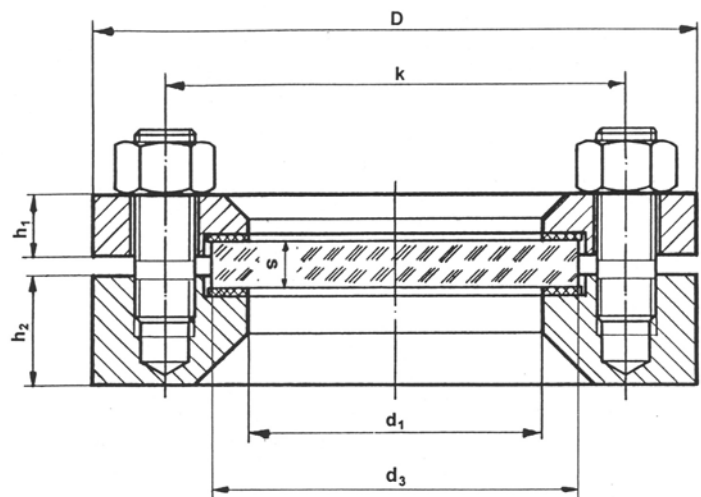
Base flange: RSt 37-2, H II,
WN 1.4541, WN 1.4571
Cover flange: RSt 37-2, H II,
WN 1.4541, WN 1.4571
Glassplate: Borosilicate glass acc. to DIN 7080
Soda lime glass acc. to DIN 8902
Gasket: asbestos free or other materials
Screws: 5. 6 galv., A2-70, A4-70

Options:

- Sight glass wiper Bauform 190
- Safety double windows Bauform 126
- Sight glass light fittings
- Lined, Type B
- With O-ring-sealing (for vacuum)
- Special design acc. to customer

Certificate: (Option)

Acc. to EN 10204-2.2 or
Acc. to EN 10204-3.1



Dimensions:

DN	d ₁	d ₃	s	D	k	h ₁	h ₂	Screws
50	80	100	10	150	125	12	24	4 x M 12
80	100	125	15	175	150	14	24	4 x M 12
100	125	150	15	200	175	14	24	4 x M 12
125	150	175	15	220	195	16	24	8 x M 12
150	175	200	15	250	220	16	24	8 x M 12
200	225	250	19	300	275	16	24	8 x M 12

Modifications reserved



AVEMAR CZECH s.r.o. | speciální armatury pro měření a regulaci |
Branch office Lihovarská 1199/10 | 716 03 Ostrava - Radvanice | Česká republika |
Tel.: +420 596 232 996 (7) | Fax: +420 596 232 998 | www.avemar.cz | avemar@avemar.cz |