

# Sight Flow Indicators (straight line)

with *butt weld ends* (S)



Bauform 112-S

## Application:

Sight Flow Indicators are used for optical control and the observation of filling and current in pipelines. Without restfluid in the body in horizontal installation.

**Without rest fluid  
in the body**

## Operating conditions:

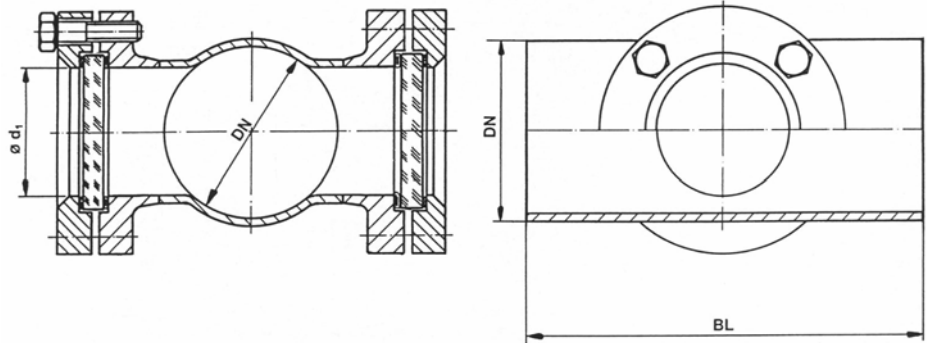
Working pressure : 16 bar

## Standard Materials:

Body : WN 1.4571 or 1.4404  
 Covers : Stainless steel  
 Screws : A4-70  
 Sight glasses : Borosilicate glass acc. to DIN 7080; ( max. 280°C )  
 Soda lime glass acc. to DIN 8902; ( max 150°C )  
 Gasket : Graphite ( other materials are available on request )

## Options:

Flanges in DIN or ANSI  
 Light-fitting  
 Body in steel



## Ordering example:

Sight flow indicators  
 with butt weld ends  
 Bauform 112-S  
 Body: WN 1.4571;  
 Borosilicate glass  
 DN 100 / 114,3



## Dimensions:

DN / Da	BL	ø d <sub>1</sub>	Glass Ød x S
<b>25 / 33,7</b>	160	23	45 x 10
<b>40 / 48,3</b>	200	39	63 x 10
<b>50 / 60,3</b>	230	44	63 x 10
<b>80 / 88,9</b>	310	64	80 x 12
<b>100 / 114,3</b>	350	80	100 x 15
<b>125 / 139,7</b>	400	80	100 x 15
<b>150 / 168,3</b>	480	100	125 x 20
<b>200 / 219,1</b>	600	125	150 x 25
<b>250 / 273,0</b>	730	150	175 x 25
<b>300 / 323,9</b>	850	150	175 x 25
<b>350 / 355,6</b>	980	150	175 x 25

Modifications reserved