

# Reflection Water Level Gauge PN 40

## Type 700.B5 (Reflex)

### Applications

The liquid water level gauge type 700.B5 is a reflection gauge for direct reading water level in steam boilers. They are equipped with sight glasses with grooves for a clear contrast in the display.

### Special Features

- Reflection
- Connection side-side fixed
- Gauge heads side-side
- Glass holder: side plates, hinged
- Lever

### General Data

|                            |                        |
|----------------------------|------------------------|
| Sight length SL*)          | <ME                    |
| Glass size**)              | 2 – 11 (34 x 17 mm)    |
| Actuation                  | lever                  |
| Connection gauge head-body | valves side-side       |
| Valve type                 | 760.11                 |
| Valve passage              | 8 mm                   |
| Process connection         | flange DIN, EN or ANSI |
| Materials                  |                        |
| - Sight glasses DIN 7081   | Borosilikate           |
| - Glass holder             | CS                     |
| - Connection flanges       | CS                     |
| - Shut off parts           | SS                     |
| - Gaskets                  | Graphite               |

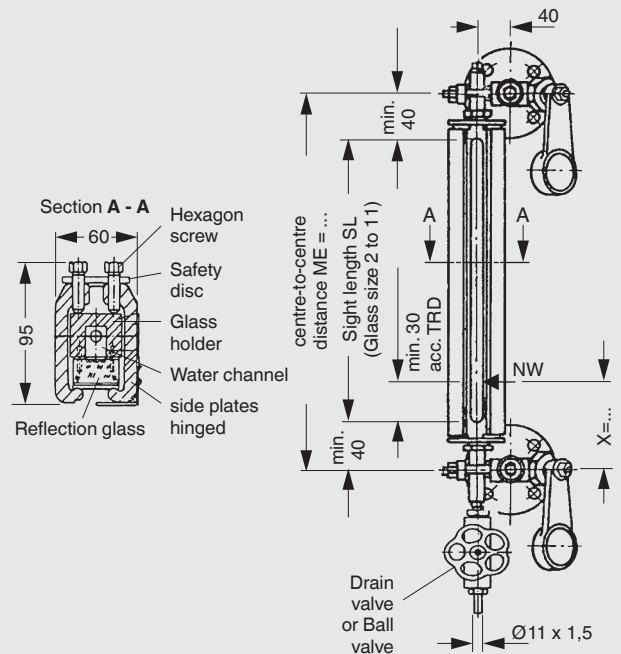
### Design Data

|                                      |                       |
|--------------------------------------|-----------------------|
| Design temperature / Design pressure | - 10...100°C / 40 bar |
|                                      | up to 200°C / 32 bar  |
|                                      | up to 243°C / 30 bar  |

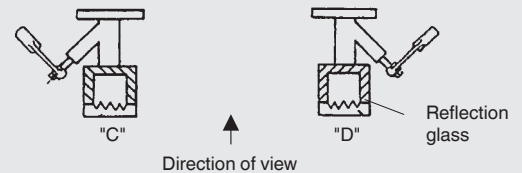
### Accessories

|                     |   |
|---------------------|---|
| Pointer             | NW-mark acc. to TRD                                       |
| For shut off valves | automatically closing ball (safety device)                |
|                     | (at least 1 bar pressure tanks required for the function) |
| Glass protection    | Mica exterior protection                                  |

Type 700.B5



Arrangement



Measures in mm

\*) Sight length SL = min. center-center-distance ME – 80 mm  
 Interruption between 2 sight glasses: min. 50 mm

\*\*\*) Other glass sizes available on request.

CS (= carbonsteel) and SS (= stainless steel type 316SS) are materials suitable for Pressure Vessels according to EN or ASME.

### Glass size / range of centre-to-centre distance

| Glass size                                 | 2   | 3   | 4   | 5   | 6   | 7   | 8    | 9    | 10   | 11   |
|--|-----|-----|-----|-----|-----|-----|------|------|------|------|
| Glass length / mm                          | 140 | 165 | 190 | 220 | 250 | 280 | 320  | 340  | 370  | 400  |
| SL per segment                             | 120 | 145 | 170 | 200 | 230 | 260 | 300  | 320  | 350  | 380  |
| <b>min. center-to-center-distance / mm</b> |     |     |     |     |     |     |      |      |      |      |
| 1 x glass size                             | 200 | 225 | 250 | 280 | 310 | 340 | 380  | 400  | 430  | 460  |
| 2 x glass size                             | 370 | 420 | 470 | 530 | 590 | 650 | 730  | 770  | 830  | 890  |
| 3 x glass size                             | 540 | 615 | 690 | 780 | 870 | 960 | 1080 | 1140 | 1230 | 1320 |