

DESCRIPTION

Solenoid valve 2 way normally open direct acting poppet type, suitable for food applications and all compatible fluids.

CONSTRUCTION

Body	Thermoplastic polymer ACS, KTW, W270, WRAS, NSF, FDA certified
Armature tube	Brass chemically nickel plated
Plunger and core	AISI 430FR
Springs	AISI 302
Seal material	NBR - FPM - EPDM

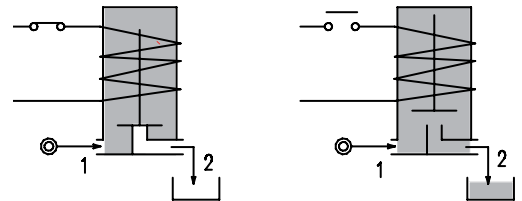
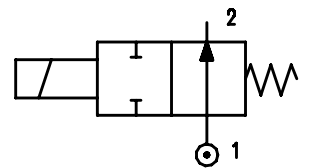


2

FEATURES

- Maximum allowable pressure PS 20bar^④
- Maximum fluid viscosity 25cSt (mm²/s)
- Ambient temperature: from -10°C to +80°C according to the coil
- Universal mounting position

- OPTIONS:** Stainless steel armature tube
Type N connection without nut
c us certified coils



CONNECTION					
K	N	P	W	Y	Z
SPIGGOT	G1/8" male thread with NUT for flexible pipes	HOSETAIL for flexible pipes	COMPRESSION for flexible and semiflexible pipes	PUSH IN for semiflexible pipes Øext 6	PUSH IN for semiflexible pipes Øext 4

CODE	Connection *	Orifice mm	Kv m ³ /h	Differential pressure bar			Nominal power			Coil		Seal	Temp. range **
				Min	Max	AC	VA	DC	Series	Width			
E235*...15///...	K-N-P-W-Y-Z	1.5	0.06	0	14	14	12	8	6.5	3	22	NBR=B	-10 +90
E235*...20///...	K-N-P-W-Y-Z	2	0.09	0	8	8						EPDM=E	-10 +140
E235*...25///...	K-N-P-W-Y-Z	2.5	0.14	0	4.5	4.5						FPM=V	-10 +140

- ① Seal
- ② Coil
- ③ Only for connection "W"
- ④ **REMARK**

Example: E235KB20///30B NBR seal SPIGGOT connection
Coil 24V 50/60Hz
E235W.../1/...

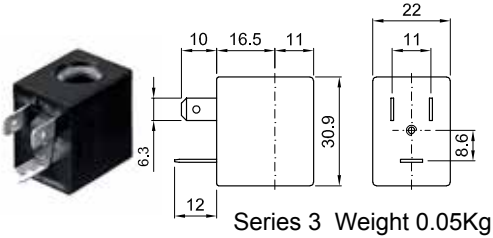
The maximum allowable pressure PS for steam is 2.5bar (gauge pressure)
The maximum allowable pressure is related to the type of connection and pipe used

** The temperature range is related to the material of the seals (NBR, EPDM, FPM), and the valves' body. Please contact us concerning the temperature range referred to the different types of connection.

COILS	Alternating Current 50/60Hz (V)							Direct Current (V)			Electrical connection	Connectors
	12	24	48	110	220 230	240	380	12	24	48		
Series 3 Width 22 Code ②	30A	30B	30C	30D	30E	30F	30G	300	301	302	DIN 46244	PG9 code 10348000

DESCRIPTION
 Class F insulation
 Voltage tolerance
 AC +15% -10%
 DC ± 10%
 Protection class
 IP65 with connector fitted
 IP00 without connector
 Continuous service ED100%

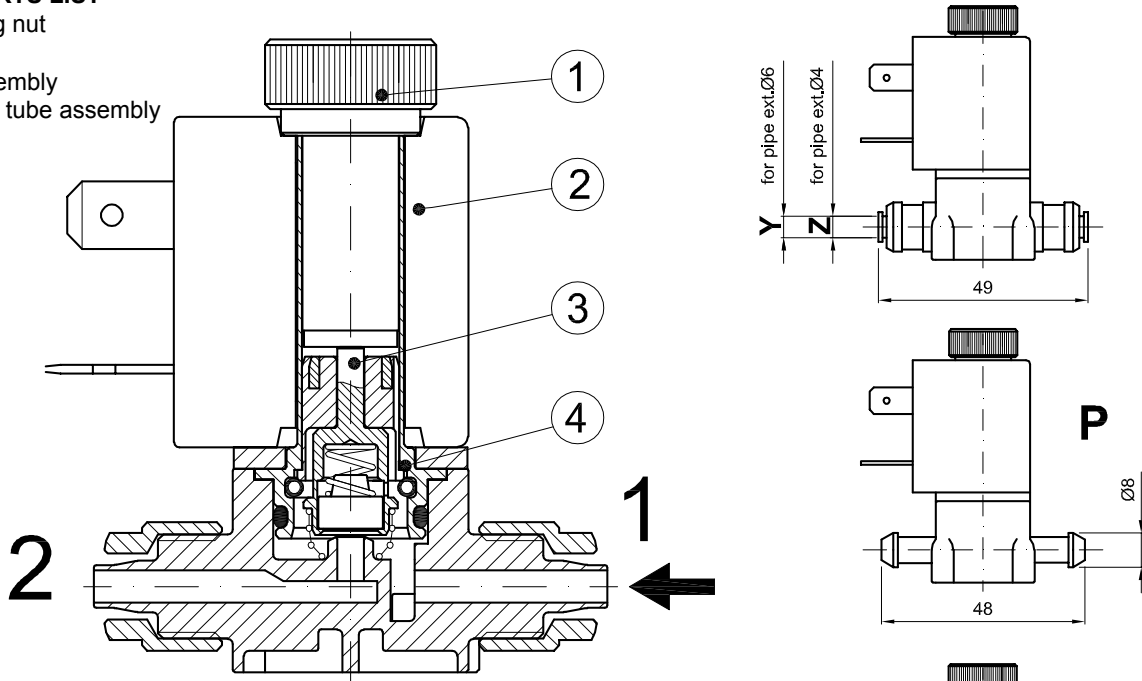
OPTIONS
 Class H insulation
 Cable attached
 Special coil voltage
 Special coil powers
 cULus certified coils



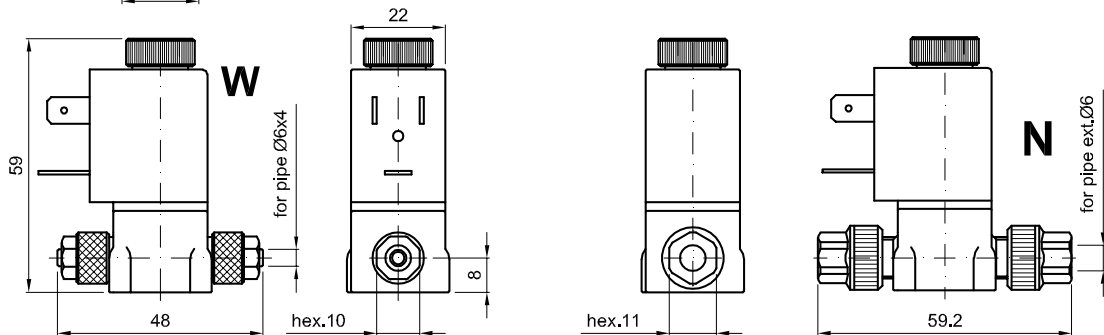
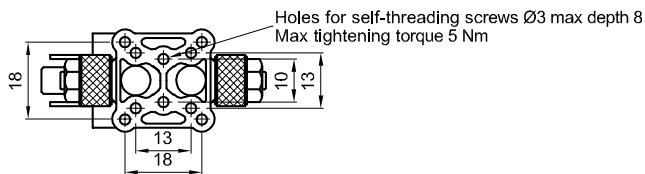
(for more details see section 8)

SPARE PARTS LIST

1. Coil fixing nut
2. Coil
3. Seal assembly
4. Armature tube assembly



Weight=0.10Kg



Nut max torque 2Nm

Screw the nut with wrench 11 up to the sliding on the hexagon (torque limiting device)