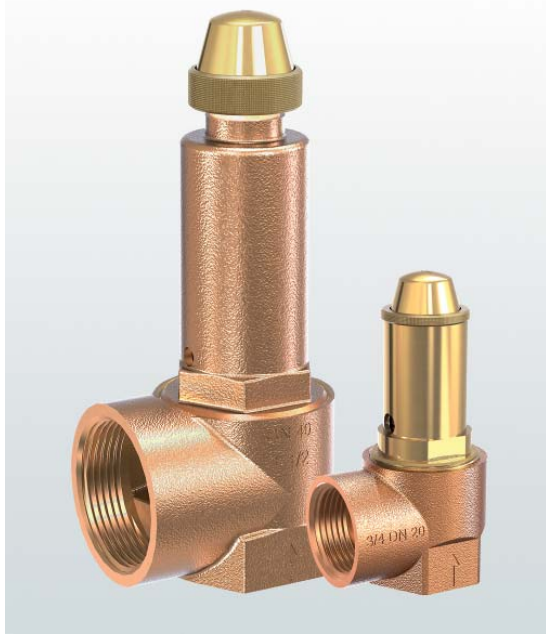


→ **Series 652mFK**



■ SUITABLE FOR

Liquids	neutral and non-neutral	
---------	-------------------------	--

■ EXAMPLES OF USE

For the protection of:

- cooling plants and closed cooling circuits
- pressure tanks/-systems for water and cooling liquids with a glycol contents of up to 100 %

Please observe plant-specific regulations.

- cooling-/ chilling plants

■ APPROVALS

TÜV Type test approval 293	F
EC type examination	L
TR ZU 032/2013 - TR ZU 010/2011	F (L)

Requirements

AD 2000 Data sheet A2
DIN EN ISO 4126-1
PED 2014/68/EU

Classification society

Germanischer Lloyd	GL
Lloyd's Register EMEA	LR EMEA
American Bureau of Shipping	ABS
Det Norske Veritas	DNV
Bureau Veritas	BV
Russian Maritime Register of Shipping	RS



■ MATERIAL



■ SPECIFICATION



1/2" – 2"



- 50°C to + 150°C



1,0 – 16 bar

■ MATERIALS

Component	Material	DIN EN	ASME
Inlet body	Gunmetal	CC499K	CC499K
Outlet body	Gunmetal	CC499K	CC499K
Internal parts	Brass	CW617N	CW617N
Spring	Spring steel with anti-rust protection	1.1200	ASTM A228

m	with diaphragm	for neutral liquids and liquids in cooling circuits without counter pressure. Spring, moving parts and the environment are protected from being affected by the medium.
----------	----------------	--

■ MEDIUM

F	liquid	The temperature of the medium under atmospheric pressure must not reach boiling point
----------	--------	---

■ TYPE OF LIFTING MECHANISM

K	Standard with twist-type lifting mechanism	
----------	--	--

■ AVAILABLE NOMINAL DIAMETERS AND CONNECTION SIZES

Nominal diameter DN		15	20	25	32	40	50
Inlet		1/2" (15)	3/4" (20)	1" (25)	1 1/4" (32)	1 1/2" (40)	2" (50)
Outlet	1/2" (15)	■					
	3/4" (20)		■				
	1" (25)			■			
	1 1/4" (32)				■		
	1 1/2" (40)					■	
	2" (50)						■

■ TYPE OF CONNECTION INLET / OUTLET THREADED CONNECTIONS

f / f	Standard	Female thread BSP-P / Female thread BSP-P	DIN EN ISO 228-1 / DIN EN ISO 228-1
--------------	----------	---	-------------------------------------

■ SEALS

EPDM	Ethylene propylene diene	Elastomere flat seal (up to 100% Glykol)	-50°C to +150°C
-------------	--------------------------	--	-----------------

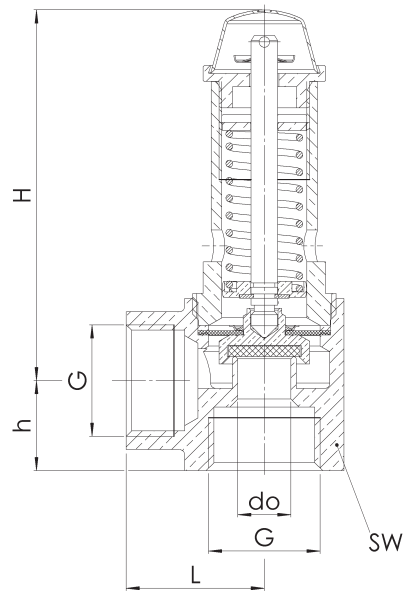
■ OPTIONS

Special versions on request.

NOMINAL DIAMETERS, CONNECTIONS, INSTALLATION DIMENSIONS

Series 652mFK: Connection, installation dimensions, ranges of adjustment							
Nominal diameter	DN	15	20	25	32	40	50
Connection DIN EN ISO 228	G	1/2" (15)	3/4" (20)	1" (25)	1 1/4" (32)	1 1/2" (40)	2" (50)
Outlet DIN EN ISO 228	G	1/2" (15)	3/4" (20)	1" (25)	1 1/4" (32)	1 1/2" (40)	2" (50)
Installation dimensions in mm	L	26	31	35	40	46	54
	H	70	70	80	100	140	155
	h	17	18	22	25	28	34
	SW	27	32	40	49	56	68
	do	10	13	16	18	22	25
Weight	kg	0,2	0,3	0,5	0,7	1,2	1,6
Range of adjustment	bar	1-16	1-16	1-16	1-16	1-16	1-16

MAIN DIMENSIONS, INSTALLATION DIMENSIONS



INDIVIDUAL SELECTION / VALVE CONFIGURATION

Series	Valve version	Medium	Lifting device	Nominal diameter DN	Connection type		Connection size		Seal	Options	Set pressure	Quantity
					Inlet	Outlet	Inlet	Outlet				
652	m	F	K	15	f	f	15	15	EPDM		6,5	2
652	m	F	K		f	f			EPDM			
652	m	F	K		f	f			EPDM			
652	m	F	K		f	f			EPDM			

In this table you can configure a valve according to your individual requirements (similar to the *example* shown, which should be deleted before you enter your own data). Please complete the table by hand using the abbreviations in this datasheet and then fax it to: +49(0)7141.4889488
Please do not forget to add your personal data so that our sales team can contact you.

Name _____

First Name _____

Company _____

Telephone _____

E-Mail _____

■ CAPACITY TABLE

Series 652mFK: Blowing-off rates at 10% above set pressure							
Nominal diameter DN	15	20	25	32	40	50	
Set pressure bar							
Water m³/h	1	1,5	2,6	3,9	4,9	7,3	9,4
	1,5	1,8	3,1	4,7	6,0	8,9	11,6
	2	2,1	3,6	5,5	6,9	10,3	13,3
	2,5	2,4	4,0	6,1	7,7	11,6	14,9
	3	2,6	4,4	6,7	8,5	12,7	16,3
	3,5	2,8	4,8	7,2	9,2	13,7	17,7
	4	3,0	5,1	7,7	9,8	14,6	18,9
	4,5	3,2	5,4	8,2	10,4	15,5	20,0
	5	3,4	5,7	8,6	10,9	16,3	21,1
	5,5	3,5	6,0	9,1	11,5	17,1	22,1
	6	3,7	6,3	9,5	12,0	17,9	23,1
	6,5	3,8	6,5	9,9	12,5	18,6	24,1
	7	4,0	6,8	10,2	12,9	19,3	25,0
	7,5	4,1	7,0	10,6	13,4	20,0	25,8
	8	4,3	7,2	10,9	13,8	20,7	26,7
	8,5	4,4	7,4	11,3	14,3	21,3	27,5
9	4,5	7,7	11,6	14,7	21,9	28,3	
9,5	4,7	7,9	11,9	15,1	22,5	29,1	
10	4,8	8,1	12,2	15,5	23,1	29,8	
11	2,8	6,8	12,8	14,4	23,6	31,3	
12	2,9	7,1	13,4	15,1	24,6	32,7	
13	3,0	7,4	13,9	15,7	25,6	34,0	
14	3,1	7,7	14,5	16,3	26,6	35,3	
15	3,2	8,0	15,0	16,8	27,5	36,5	
16	3,4	8,2	15,5	17,4	28,4	37,7	